

Smart Energy Center



Higher Revenue

- High-efficiency inverter topology
- Max. efficiency 98.6%
- European weighted efficiency 98.1%

Simple & Easy

- 18 kg, allows one person simple installation
- Support 0~100% flexible optimizer deployment
- Direct communication with optimizers via DC PLC
- Optimized AC connector for quick wiring
- Support 2G, 3G, 4G (via 4G Dongle) / WLAN (via WLAN dongle) for data transmission
- Support remote ripple control

Battery Ready

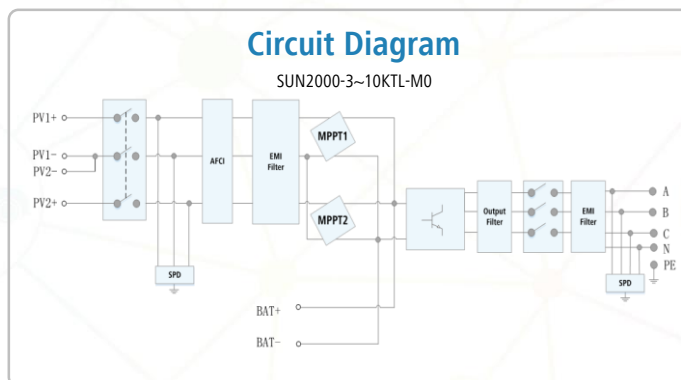
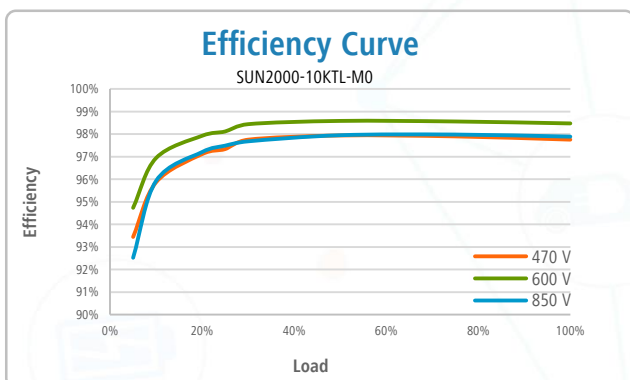
- Integrated plug-and-play energy storage interface

Safe & Reliable

- IP65, natural convection
- Integrated lightning protection for both DC and AC

SUN2000-3/4/5/6/8/10KTL-M0

Technical Specification	SUN2000-3KTL-M0 ¹	SUN2000-4KTL-M0 ¹	SUN2000-5KTL-M0	SUN2000-6KTL-M0	SUN2000-8KTL-M0 ¹	SUN2000-10KTL-M0 ¹
Efficiency						
Max. efficiency	98.2%	98.3%	98.4%	98.6%	98.6%	98.6%
European weighted efficiency	96.7%	97.1%	97.5%	97.7%	98.0%	98.1%
Input						
Recommended max. PV power	6,150 Wp	8,200 Wp	10,250 Wp	12,300 Wp	14,880 Wp	14,880 Wp
Max. input voltage	1,100 V					
Operating voltage range	160 V ~ 980 V					
Start-up voltage	200 V					
Full power MPPT voltage range	140 V ~ 850 V	190 V ~ 850 V	240 V ~ 850 V	285 V ~ 850 V	380 V ~ 850 V	470 V ~ 850 V
Rated input voltage	600 V					
Max. input current per MPPT	11 A					
Max. short-circuit current	15 A					
Max. number of inputs	2					
Number of MPP trackers	2					
Output						
Grid connection	Three-phase					
Rated output power	3,000 W	4,000 W	5,000 W	6,000 W	8,000 W	10,000 W
Max. apparent power (cosφ=1)	3,300 VA	4,400 VA	5,500 VA	6,600 VA	8,800 VA	11,000 VA ²
Rated output voltage	220 Vac / 380 Vac, 230 Vac / 400 Vac, 3W / N+PE					
Rated AC grid frequency	50 Hz / 60 Hz					
Max. output current	5.1 A	6.8 A	8.5 A	10.1 A	13.5 A	16.9 A
Adjustable power factor	0.8 leading ... 0.8 lagging					
Max. total harmonic distortion	≤ 3 %					
Protections & Features						
Input-side disconnection device	Yes					
Insulation monitoring	Yes					
Anti-islanding protection	Yes					
DC reverse-polarity protection	Yes					
DC lightning protection	Yes					
AC lightning protection	Yes					
Residual current monitoring unit	Yes					
AC over-current protection	Yes					
AC short-circuit protection	Yes					
AC over-voltage protection	Yes					
Over-heat protection	Yes					
String fault detection	Yes					
Grid monitoring	Yes					
Remote ripple control	Yes					
Integrated PID recovery	Yes ³					
General Data						
Operating temperature range	-25 ~ +60 °C (-13 °F ~ 140 °F) (Derating above 45 °C @ Rated output power)					
Relative operating humidity	0 % RH ~ 100% RH					
Operating altitude	0 - 4,000 m (13,123 ft.) (Derating above 3000 m)					
Cooling method	Natural convection					
Display	LED Indicators; Integrated WLAN + FusionSolar App					
Communication	RS485; WLAN via Smart Dongle-WLAN; 4G / 3G / 2G via Smart Dongle-4G					
Weight (incl. mounting plate)	18 kg (39.7 lb)					
Dimensions (W x H x D) (incl. mounting plate)	525 * 470 * 166 mm (20.7 * 18.5 * 6.5 inch)					
Degree of protection	IP65					
Optimizer Compatibility						
Optimizer	Huawei Smart PV Optimizer SUN2000P-375W					
Optimizer deployment	Support 0~100% optimizer application					
Communication	DC Power Line Communication					
Battery Compatibility						
Battery Interface	Integrated					



1: SUN2000-3KTL/4KTL/8KTL/10KTL-M0 is only available in Europe

2: VDE-AR-N-4105: 10,000 VA; C10 / 11: 10,000 VA

3: SUN2000-3~10KTL-M0 increases voltage of PV- at night to recover PID of the majority of modules in market (e.g. P-type). Please contact module supplier to confirm function adaptability.