

AstroSemi™

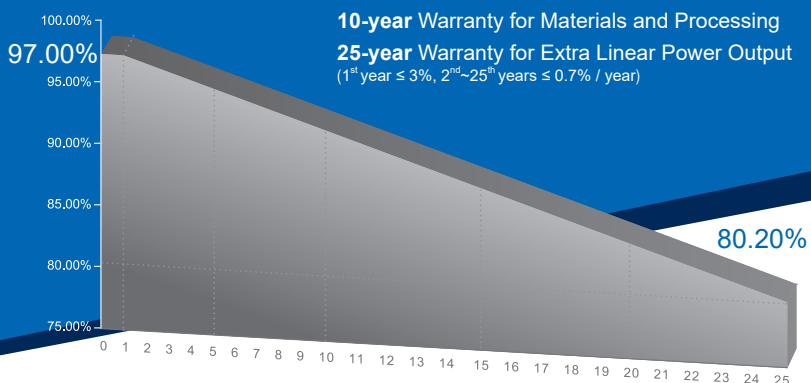
Incredible Power for Small Body



Multi-Busbar Module could be the option

370W~390W

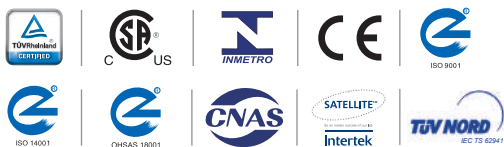
Monocrystalline PV Module
CHSM72M-HC Series



KEY FEATURES

- OUTPUT POSITIVE TOLERANCE**
 Guaranteed 0~+5W positive tolerance ensures power output reliability.
- INNOVATIONAL HALF-CELL TECHNOLOGY**
 Improves the module output, decreases the risk of micro-crack, enhances the module reliability.
- INNOVATIVE PERC CELL TECHNOLOGY**
 Excellent cell efficiency and output.
- REDUCE SHADOW LOSS**
 Effectively reduces the effect of shadow on the module surface.
- REDUCE INTERNAL MISMATCH LOSS**
 Reduces mismatch loss and improves output.
- PASSED HAIL TEST**
 Certified to hail resistance: ice ball size (d=45mm) and ice ball velocity (v=30.7m/s).
- PID RESISTANCE**
 Excellent PID resistance at 96 hours (@85°C /85%) test, and also can be improved to meet higher standards for the particularly harsh environment.

COMPREHENSIVE CERTIFICATES



First solar company which passed the TUV Nord IEC/TS 62941 certification audit.

For Global Market



ASTRONERGY
A CHNT COMPANY

ELECTRICAL SPECIFICATIONS

STC rated output (P_{mpp})*	370 Wp	375 Wp	380 Wp	385 Wp	390 Wp
Rated voltage (V_{mpp}) at STC	39.71 V	39.94 V	40.26 V	40.58 V	40.81 V
Rated current (I_{mpp}) at STC	9.32 A	9.39 A	9.44 A	9.49 A	9.56 A
Open circuit voltage (V_{oc}) at STC	47.64 V	47.89 V	48.18 V	48.47 V	48.70 V
Short circuit current (I_{sc}) at STC	9.80 A	9.88 A	9.95 A	10.02 A	10.10 A
Module efficiency	18.6%	18.9%	19.2%	19.4%	19.7%
Rated output (P_{mpp}) at NOCT	275.1 Wp	278.8 Wp	282.5 Wp	286.2 Wp	289.9 Wp
Rated voltage (V_{mpp}) at NOCT	36.86 V	37.08 V	37.37 V	37.67 V	37.88 V
Rated current (I_{mpp}) at NOCT	7.46 A	7.52 A	7.56 A	7.60 A	7.65 A
Open circuit voltage (V_{oc}) at NOCT	44.61 V	44.85 V	45.12 V	45.39 V	45.61 V
Short circuit current (I_{sc}) at NOCT	7.90 A	7.96 A	8.02 A	8.07 A	8.14 A
Temperature coefficient (P_{mpp})	- 0.3528%/°C				
Temperature coefficient (I_{sc})	+0.0400%/°C				
Temperature coefficient (V_{oc})	- 0.2769%/°C				
Normal operating cell temperature (NOCT)	44±2°C				
Maximum system voltage (IEC/UL)	1500V _{DC}				
Number of diodes	3				
Junction box IP rating	IP 67				
Maximum series fuse rating	20 A				

* Measurement tolerance +/- 3%

STC: Irradiance 1000W/m², Cell Temperature 25°C, AM=1.5

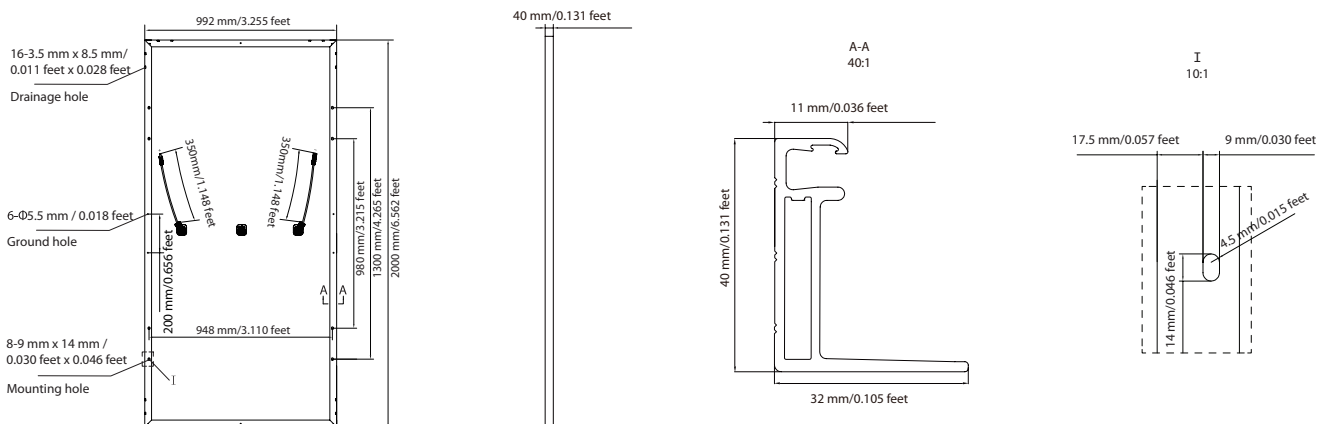
NOCT: Irradiance 800W/m², Ambient Temperature 20°C, AM=1.5, Wind Speed 1m/s

MECHANICAL SPECIFICATIONS

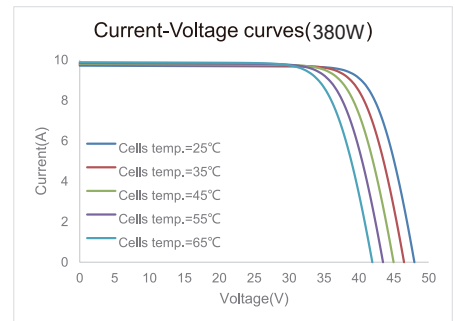
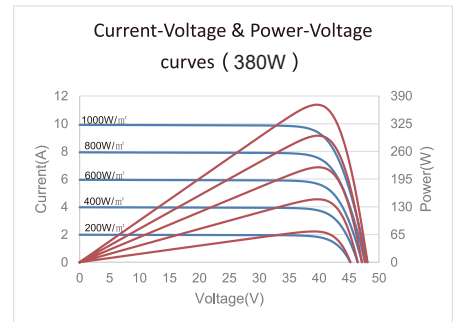
Outer dimensions (L x W x H)	2000 x 992 x 40 mm 78.74 x 39.06 x 1.57 in
Frame technology	Aluminum, silver anodized
Module composition	Glass / EVA / Backsheet (white)
Front glass thickness	3.2 mm / 0.13 in
Cable length (IEC/UL)	Portrait: 350 mm (13.78 in) Landscape: 1200 mm (47.24 in)
Cable diameter (IEC/UL)	4 mm ² / 12 AWG
① Maximum mechanical test load	6000 Pa (front) / 3600 Pa (back)
Fire performance (IEC/UL)	Class C (IEC) or Type 1 (UL)
Connector type (IEC/UL)	MC4 compatible

① Refer to Astronergy crystalline installation manual or contact technical department.
Maximum Mechanical Test Load=1.5×Maximum Mechanical Design Load.

MODULE DIMENSION DETAILS



CURVE



PACKING SPECIFICATIONS

① Weight (module only)	22.3 kg / 49.16 lbs
② Packing unit	27 pcs / box
Weight of packing unit (for 40'HQ container)	648 kg / 1429 lbs
Number of modules per 40'HQ container	594 pcs

① Tolerance +/- 1.0kg
② Subject to sales contract