

PICOS System

Ballasted structures



The Picos de Europa (literally: "Peaks of Europe", often abbreviated in English to the Picos) is a range of mountains 20 km inland from the northern coast of Spain, located in the Autonomous Communities of Asturias, Cantabria and Castile and León, forming part of the Cantabrian Mountains. A widely accepted origin for the name is that they were the first sight of Europe for ships arriving from the Americas.

The range consists of three major massifs: Central (also known as Urrieles), Eastern (Ándara) and Western (also known as the Picos de Cornión). Almost all of the rock in the Picos is limestone, and glacial action has contributed to create an impressive area of alpine karst. The highest peak is Torre de Cerredo, with an altitude of 2,650 metres

Picos v1.0

Picos v1.0

Picos v2.0

Picos v2.0

Picos v2.0

Picos v1.0

Contact

 **EUROPE - Offices & Factory**

pol. industrial Tabaza I zona A
Nave 6a, Carreño - Asturias (Spain)
Phone: +34 984 112 759
alusinsolar@alusinsolar.com

 **alusinsolar.com**

Guarantees

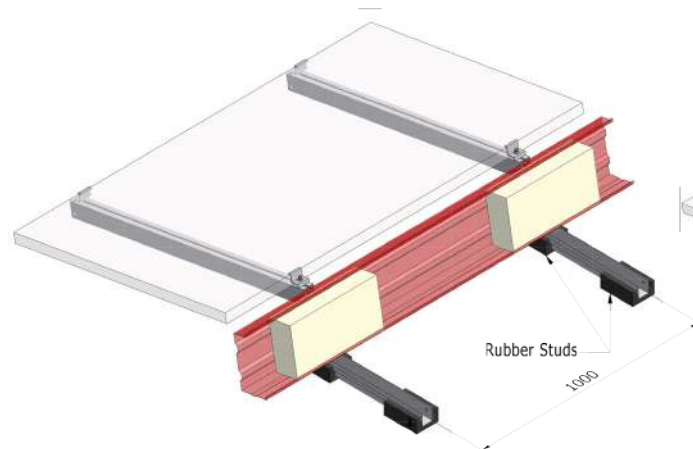
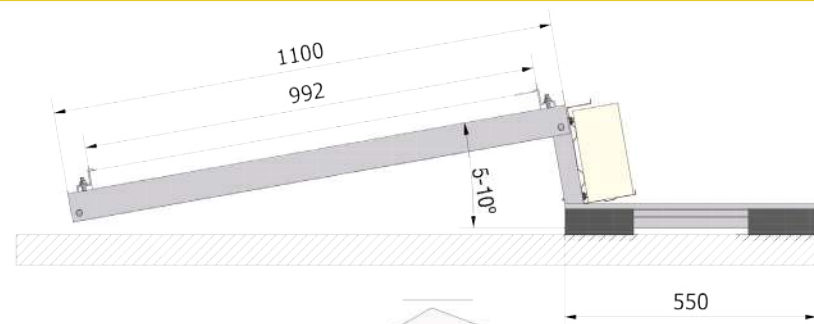
- ✔ Designs based on local climatic loads
- ✔ Panels universal fixing
- ✔ High versatility and suitability
- ✔ Special clamps: Thin & Frameless
- ✔ Quick delivery
- ✔ Comfortable installation
- ✔ Materials 25 years guarantee
- ✔ Works 2 years guarantee

Technical specifications

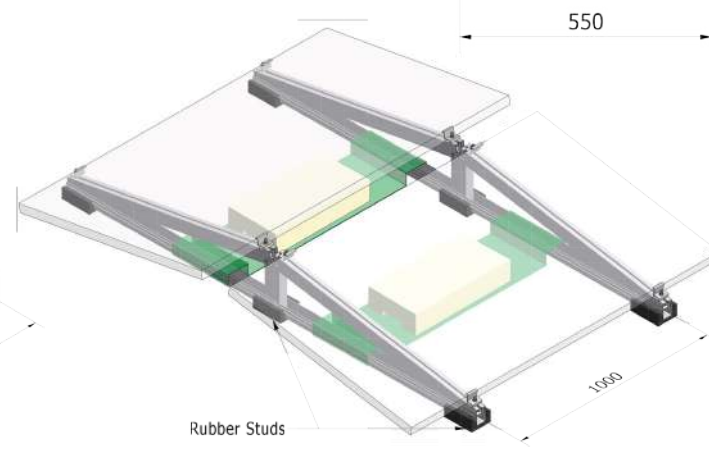
- Profiles, clamps and accessories made in first fusion extruded aluminum
- Stainless steel A2/A4 hardware qualities, depending on the climate, with surface treatments option
- System fixations by concrete ballasts. No need for perforations.
- Testing bench studied on a wind tunnel.
- Antitheft screw option, hardware grooves system
- Support bracket over rubber studs.
- 100% reusable materials

For all types of roofs

- Concrete flat roofs
- PVC ceilings
- Asphalt roofing felt



PICOS South



PICOS East/West


Componentes in the system



Rafters are supplied preassembled



Loads

Wind 

Up to 240 kmh (150mph).

Snow 

Up to 2 kN/m²

Calculations made based on climatic charges depending on the project's location

Weights

Two rafters per module

2.3 kg/m²*

Shared rafters

1.64 kg/m²*

Only the structures. Ballasts not included.